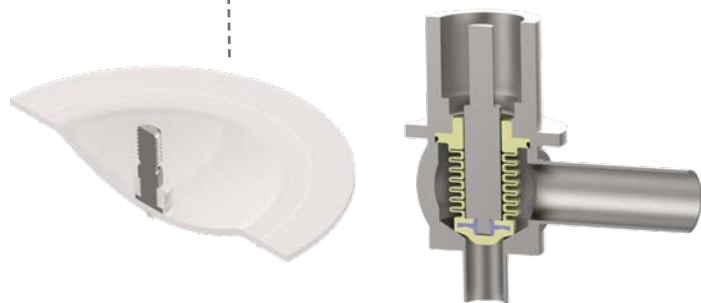
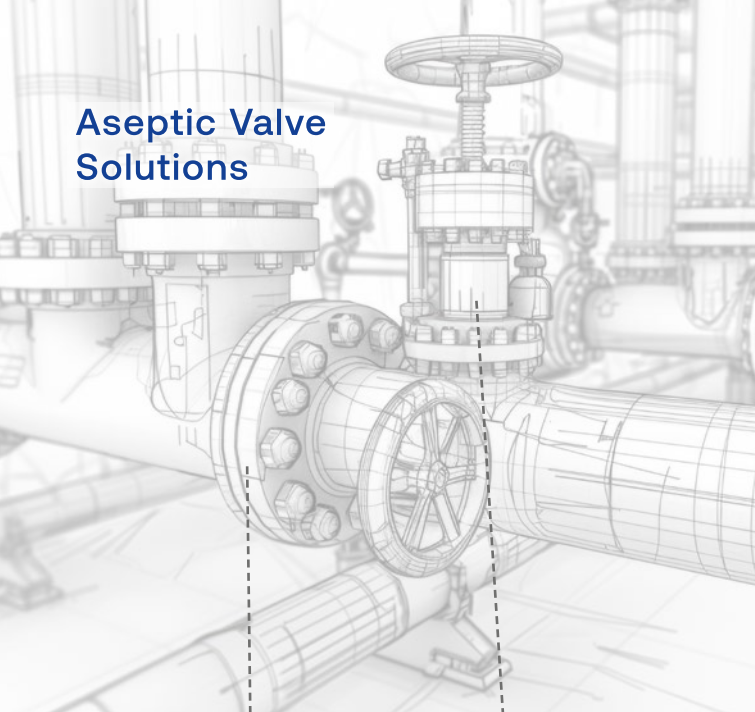


## Aseptic Valve Solutions



ElringKlinger Engineered Plastics  
ENABLING INDIVIDUALITY

**elringklinger**  
Engineered Plastics

## Sales Team Aseptic Valves Your contacts

### Ruwen Frasch

Global Segment Manager

Fon +49 (7142) 583-468

Mobil +49 173 4260212

E-Mail [ruwen.frasch@elringklinger.com](mailto:ruwen.frasch@elringklinger.com)



### Pia Paul

Global Segment Manager

Fon +49 (7142) 583-178

E-Mail [pia.paul@elringklinger.com](mailto:pia.paul@elringklinger.com)



### Jan Schäfer

Global Segment Manager

Fon +49 7142 583-483

E-Mail [jan.schaefer@elringklinger.com](mailto:jan.schaefer@elringklinger.com)



How to find us  
Global. Regional. Local.



## ElringKlinger Kunststofftechnik GmbH

Your specialist in Engineered Plastics

Etzelstraße 10  
D-74321 Bietigheim-Bissingen

Fon +49 7142-583-0

E-Mail [food-pharma@elringklinger.com](mailto:food-pharma@elringklinger.com)

[www.elringklinger-engineered-plastics.com](http://www.elringklinger-engineered-plastics.com)



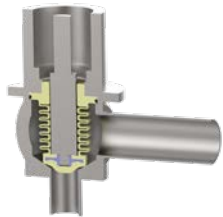
<http://ek-kt.de/food-pharma>

The information is non-binding and does not represent any warranted characteristics. Any claims for compensation based on this information cannot be accepted. No guarantee for printing errors.

### Our solutions for PTFE aseptic valves:

Complete production process from raw material to finished product.

- In house processes by ElringKlinger “Made in Germany”: starting from raw material to final shape and design
- Certified for use in pharma and food applications
- Hygienic design
- Universal chemical and thermal resistance



PTFE bellow with insert –  
installed in an aseptic valve



PTFE diaphragm with pin

### Customized bellows and diaphragms for the following valve sizes:

NW/DN	Inch	ISO
10	3/8"	17,2
15	1/2"	21,3
20	3/4"	26,9
25	1"	33,7
32	5/4"	42,4
40	6/4"	48,3
50	2"	60,3
65	2 1/2"	76,1
80	3"	88,9
100	4"	114,3
125	5"	139,7

According to VDMA Hygiene Class:

- Product sterilization
- Transport and keep product sterile
- Sterile product filling

High-performance plastics are perfect materials for food & pharmaceutical applications. We offer a large number of approved materials for these applications:

#### Standard solutions

PTFE  
Mod. PTFE

#### 2 component solutions

Mod. PTFE + GF  
Mod. PTFE + PEEK

#### Approvals

(EG) Nr. 1935/2004  
(EU) Nr. 10/2011  
FDA 21 CFR 177.1550  
ATEX  
GB 4806.X-2016  
USP Class VI  
3-A Sanitary Standards  
MOCA  
GMP